



THE CORNER FRIDGE  
INTEGRATED COLD ROOMS  
FREESTANDING COLD ROOMS  
WALK-IN LARDER FRIDGES



DEFYING CONVENTION



# Fall in Love with a BLG Fridge!

What do we love about our best friends? They are always there. They don't complain, they are there when we want them, and do a great job of looking out for us. Sometimes they are in the background, patiently waiting while we're busy with our lives, at other times, we need them constantly, and they stay with us for years and years.

So what's so different about your fridge? Our customers tell us that their Corner Fridge is like 'having a best friend in the kitchen', always there, solid, reliable, keeping their food and drink safe and fresh, and they can keep up with demand when it's time to party!

The Corner Fridge Company Ltd make Corner Fridges, Pantries and Walk In Larder Fridges (WILFs) for private households, shops, schools, and for a variety of specialized refrigeration needs like storing

wine, medicines and flowers. They can be supplied in standard sizes, or you can have them made to measure.

Yes! You can have a WILF made any size and shape you want, to suit the space you have in your home, venue or premises.

You can also convert an existing walk-in pantry into a WILF by installing one of our Cooling Unit Doors, or one of our compact refrigeration units, available to order separately.

We'll even help you with your projects, with specifications, calculations and technical support over the phone during installations.

Simply call us on 01302 759308 or email [info@cornerfridge.com](mailto:info@cornerfridge.com) for advice and to find out how we can help to make your project come to fruition.

## Contents

Introduction	4-5
A+ Corner Fridge	6-8
Keeping food fresh	9
Integrated Pantry	10
Integrated Walk In Larder Fridge	11
Free Standing WILF	12-13
Custom Made WILF	14-15
Self Build WILF	16-17
Insulated Doors	18
Flower Fridge	19
Refrigeration Units	20
Split Units	21
Spares & Advice	22
Integrated Wine Cabinets	23
Solaris Glass Radiators	23



## The Why...

Volume and space are not the only reasons why people love Corner Fridges and WILFs. Much of it has to do with the shelf-life of food products, the convenience of having all their food in one place, not having to shop so often, and knowing that their food is being stored in healthy conditions and

will stay fresher, retaining more of its nutritional value.

The Corner Fridge and WILFs have powerful refrigeration capacity which results in the rapid cooling of the food products that you put in the fridge. This means reduced bacterial growth and increased

shelf-life, especially with meat and dairy products. Alongside everything else you would expect to store in a fridge, you can also store fresh fruit and vegetables, dry ingredients, tinned food, chocolate, eggs and coffee.

## Build Quality...

Our fridges are made of pre-fabricated wall elements, composed of steel clad PUR foam, an exceptionally high-quality insulation material with three times the insulation properties of other commercially available materials.

The walls, floor and ceiling are coated with a 'Food Safe' surface that can withstand high wear and tear over a long period which is approved by the UK Food Standards Agency.

The materials used and the method of construction means the fridges are antimicrobial and very easy to keep clean. Their energy efficiency comes from being completely airtight, so the fridge interior is protected against moisture and the complications that arise from a damp atmosphere.



## What you get...

All standard fridges are delivered with a floor, ceiling, walls, shelves, refrigeration unit, LED light with motion sensor and insulated door. Fridges are delivered in sections for safe transport, with all the materials and fittings you'll need to assemble the fridge yourself. (Our engineers can be booked to install, please ask for a quote).

All standard WILFs include white shelves as standard that assist with healthy air flow. They are 'food safe' and easy to adjust. As for load bearing capacity - a 1 metre shelf supported by 2 rails can easily support 50kg, with 3 rails it can support 100kg.

The standard WILFs have a compact (plug and play) refrigeration unit. For near-silent operation, a split-unit (see page 21) can be used to locate the compressor unit a few metres away. Please note that a competent F-Gas registered engineer must be engaged to install a split unit.

## The Engineering...

The key to the exceptional cooling capacity of our cooling units (the speed at which food items chill when put in the fridge) is our application of inversion technology on the compressor. This means the refrigeration unit spends more time

running economically at low level than continuously stopping and starting. No other cooling unit on the market comes anywhere near the cooling capacity per unit of energy used. This is market-leading engineering.





**ENERG**  
 енергия · energia

THE CORNER FRIDGE COMPANY  
 Corner Fridge Company Ltd

A+++  
 A++  
 A+ **A+**  
 A  
 B  
 C  
 D



Cross section to show 1160 litres of interior storage space

# A+ Corner Fridge

Big on space and power, lean and clean on energy!

## Heart of the Kitchen

If you dream of a hygienic, uncluttered and spacious fridge, that makes fantastic use of that awkward corner space in the kitchen, then the Corner Fridge is the perfect solution for you. And when it comes to including a Corner Fridge in your kitchen design, regular kitchen furniture panels fit perfectly and are very easy to install.

This brand new and revolutionary A+ energy rated Corner Fridge is a 'must have' for kitchens, both large and small. Although it's huge, it's tucked away, it's a great space saver and economic to run.

## It's a larder too

You can store everything in this fridge because it uses circulating air flow, it's not like conventional fridges. All your food and drink items, cereals, dry ingredients, fruit, vegetables, eggs, drinks, tins, bottles, cases of bubbly, not to

mention a whole turkey or two. With everything in one place, it makes life so much easier when it comes to shopping and cooking.

## Behind the scenes

You're not likely to see it or notice it, but the power of this fridge and its air flow means that as soon as your food is in the fridge, it is cooled really quickly, much faster than conventional fridges. For meat and dairy products this is really important. You want the best for your family, with a Corner Fridge your food and drink is kept in the best condition, healthy and nutritious, right until the very moment you serve it or cook it.

There's so much space too, it's so easy to find room for carefully prepared dishes on platters etc., or perhaps your favourite curry is still in the pan? It can all go in the fridge. It might even be your life saver if you're in a hurry and need to 'dump' the groceries until you've

got time to sort them out later. As for Christmas, the Turkey will have ample space in the fridge, we can't comment on the size of your oven though!

## Reasons for love

There are many different reasons for falling in love with a Corner Fridge. When we ask existing customers what they love most about their corner fridge, there are two things that keep popping up. 1) They love the convenience of having all their food and drink in one place (shopping and cooking), and 2) they love knowing that their food is being stored hygienically and they are getting the most from the food they've bought.

It's a unique product that defies convention, we appreciate you may have questions and we're very happy to answer them. Please call or email us, 01302 759308 or [info@cornerfridge.com](mailto:info@cornerfridge.com)

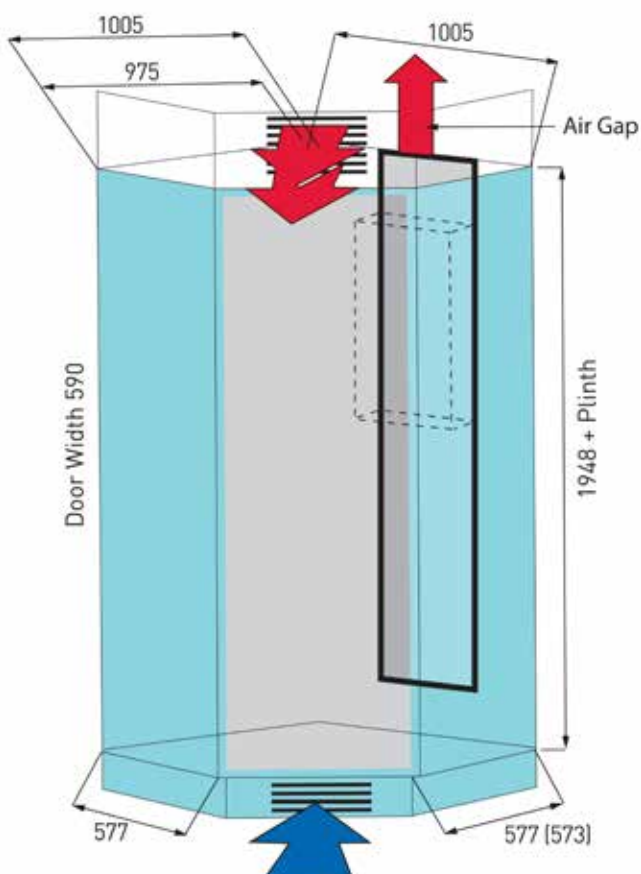
*This hand-crafted modernist kitchen features a cleverly panelled Corner Fridge, made by Jake Reilly Furniture, co-designed by Rex Johnson Design Ltd.*

## At a glance

- Only needs 1m<sup>2</sup> floor space
- Air circulation cooling
- Low power consumption
- Low noise level
- Storage space – 1200 litres
- Huge 4m<sup>2</sup> shelf space
- Food-Safe interior surfaces
- Easy assembly
- Powerful – cools quickly
- Use like a larder for all food and drink, tinned, cereals, fruit, dry ingredients, vegetables, eggs etc.

# Technical Specification for the Corner Fridge

Internal Storage Capacity	1,200 litres (45 cubic feet)
Shell and Insulation	54mm Steel clad PUR foam
Construction type	Cam Lock (floor, walls, ceiling) – key supplied
Power Consumption	215 kWh / annum
Cooling Capacity	390 W / Coolant R600 a (106g)
Temperature Range	3°C - 20°C
Defrosting	Automatic with electronic thermostat
Power Supply	Regular 240V mains supply (flex length 3m with 3-pin plug supplied)
Adjustable base	5x legs for base, 148 – 178mm (30mm adjustment)
Door	Can be hinged left or right
Interior Surfaces	Food-Safe scratch resistant interior
Shelving	4x wire shelves with clips, fully adjustable
Dimensions	H 1948 mm (+ plinth) D Left 577mm - Right 573mm W 1005mm (see diagram)
Ventilation	Minimum ventilation distance from the floor is 100mm. Legs supplied offer adjustment 148 to 178mm. Correct ventilation (see diagram) is essential to keep the compressor cool and avoid malfunction. Ceiling height - 2000mm + plinth (regular fitting) or 2050mm + plinth for integration to ceiling. If integrating to the ceiling, two ventilation grilles must be fitted to maintain air flow (see diagram)
Noise	Noise level is approximately 40dB at one metre from the door – when the compressor is running. In 'standby' mode, the noise level is 28dB
Power Supply	A 13 amp, earthed socket is required on the right hand wall, positioned 800mm from the corner and 1200mm from the floor.



## Maintenance

### Filter

The easy-reach filter on the front panel must be cleaned every 3 x months to ensure hygienic conditions in the fridge and to prevent the compressor from over-heating. We suggest using a vacuum cleaner. Replace filter once a year.

### Shelving

All shelves should be washed in warm soapy water once a month and dried thoroughly before replacing.

### Interior Surfaces

Similarly, floors, walls and ceilings should be wiped clean with warm soapy water and any food or drink spillages wiped clean immediately.



# Keeping Food Fresh in your Fridge

## Dairy

In general, keep dairy products in their original containers, just make sure the lids or original wrapping is making a good seal. Otherwise, store in reusable plastic bags or airtight plastic boxes.

## Cheese

Cheesemakers will say 'double wrap it in grease-proof paper and seal in a plastic container that's been lined with a damp kitchen towel or J-cloth'. Restaurateurs use airtight containers, one for hard cheese, one for soft, and one for blue. Remove an hour before serving, then trim and wrap in cling film before placing any leftovers back in the box.

## Deli Meats

Store in the fridge, but NOT in plastic! Wrap in a damp tea towel, rinse or change every few days. Once sliced, it's hard to keep, so eat it or bin it.

## Eggs

It's a good idea to keep eggs in the fridge, their shells have tiny pores which bacteria and odours can seep through over time, so a constant cool temperature helps to protect their goodness.

## Leftovers

Pack left-overs in air-tight or sealed containers and store in fridge within 2 hours.

Eat within 3 days. Stir well during re-heating to at least 70°C for at least 2 minutes

## Eco-friendly alternatives to cling-film

- Resealable, reusable plastic bags.
- Beeswax wraps.
- Stretchable silicon covers on pots, pans and plates.
- Plastic storage boxes and salad crispers
- Kitchen foil or a plate on top of bowls or jugs

## Top Tips for Fresh Fruit & Veg

- Berries ripen very quickly, store in individual containers and consume as soon as possible.
- Remove stalks and leaves from salad and vegetables (keeps nutrition in the edible portion)
- Generally, keep salad items in one area in the fridge, in reusable plastic bags or containers
- Keep vegetables in one area in the fridge, in reusable plastic bags or containers
- Store fruit in their own reusable plastic bags or plastic containers, don't mix them up!





# Integrated Pantry

## Your Kitchen will look Great

Your kitchen will still look fabulous with all the valuable extra storage space you've dreamed of because all our fridges can be fully integrated with your new or existing kitchen furniture. You won't know it's there.

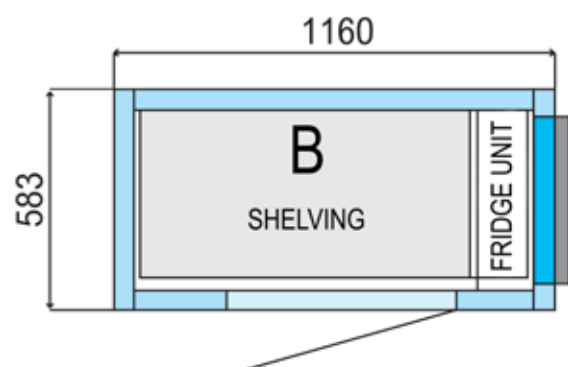
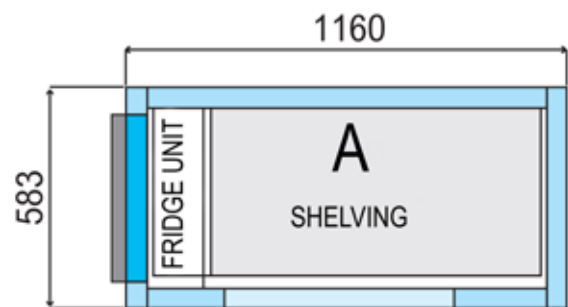
## We make it easy for you

Let your kitchen or interior designer know that you would love a Pantry or WILF in your kitchen or living space, and ask them to call us. Together we'll take care of all the specification and planning for you.

The Pantry is intended for built-in integration into the kitchen, providing superior storage space. You can place drink crates on the solid floor, large cooking utensils, sacks of vegetables and other bulky items.

## *At a glance*

- Dimensions: D583 X W1160 X H1948
- Perfect for integration with most standard kitchen systems and cabinetry
- TC6 refrigeration unit and integrated door
- Total width inc. air duct: 1200mm
- Total shelf area: 2.5 m<sup>2</sup> (inc. floor space)
- Equivalent storage space of 4 under-counter fridges
- Weight limit: 50kg on 1 metre of shelving mounted on 2 rails

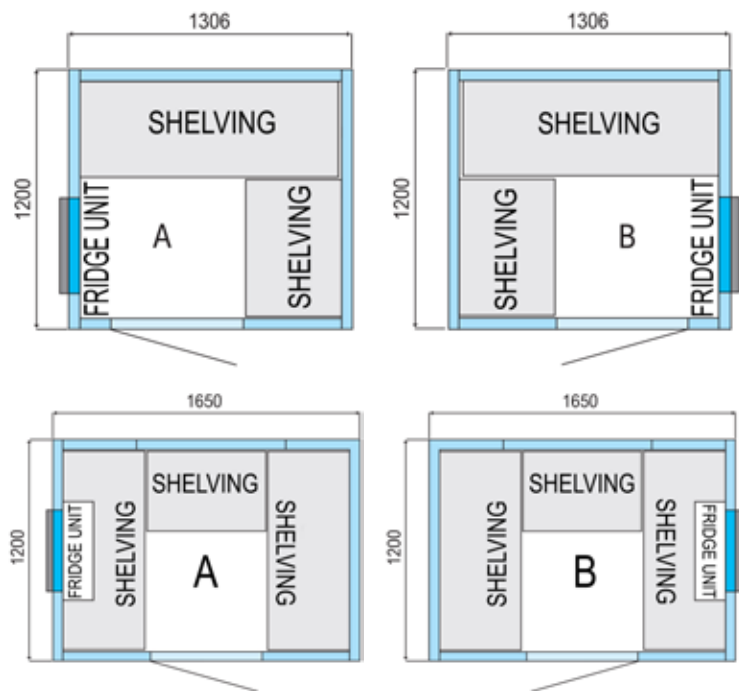


# Integrated Walk-In Larder Fridge

An Integrated Walk-In Larder Fridge (WILF) provides the perfect temperature-controlled storage space for food and drink while remaining almost invisible. Because they are so easy to integrate, you have all the advantages of this amazing storage space while continuing to enjoy your beautiful kitchen design.

The standard integrated WILFs have a depth of 1200mm for ease of fitting with most kitchen unit manufacturers, with a choice of two widths. The smaller 1306mm WILF comes with an 'L' shaped shelving configuration, and the larger 1650mm WILF comes with a 'U' shaped shelving configuration.

If silent operation is important to you, then you can order an Integrated WILF with a split unit which allows the refrigeration unit to be located between 3 and 5 metres away from the fridge. See page 21 for more information.





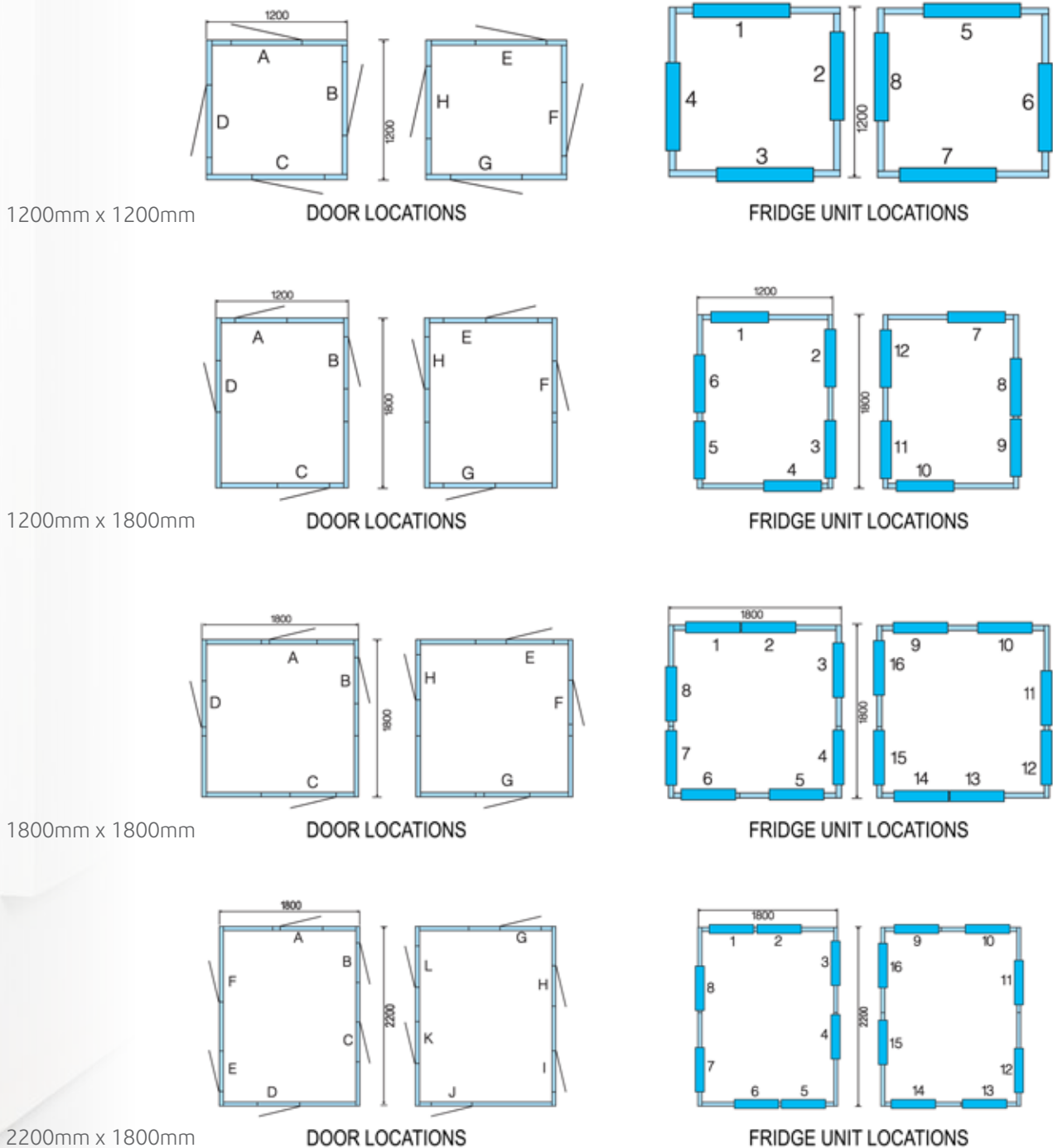
# Free Standing Walk-In Larder Fridge

Free-Standing WILFs are available in 4 sizes with a variety of options for door and refrigeration unit locations. For more information about build quality, please see pages 3 and 4, and for details of the refrigeration units, please refer to pages 20 and 21.

## Key Features at a glance

- Free Standing Unit – can be relocated
- Temperature Range 3 – 12°C
- Flexible layouts for doors, shelves and units
- Option to fit split unit (page 21)
- Interior light with motion sensor
- Food Safe interior and quick cooling

### Options for Door and Refrigeration Unit locations:





## Made to Measure Walk-In Larder Fridge

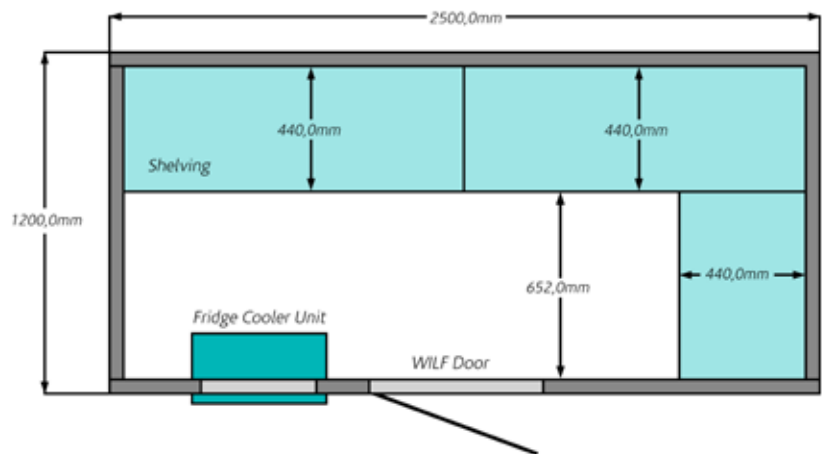
### Case Study:

A kitchen designer from Leicester had an enquiry for a design that included a walk-in larder fridge. This was the first time he had received a request like this, so he searched the internet, found us, and called us to find out more. A few weeks later, he sent us plans for his client's kitchen, with a designated area for the walk-in larder fridge.

His clients had already decided where they wanted the access door to be located in relation to the rest of the kitchen, and they wanted the door to simply look like any other interior room door. The designer asked us for our advice about air flow and positioning of the refrigeration unit.

By this time, we knew the three most important things:

- 1) *The situation of the WILF, it's location and the likely temperature range of it's surroundings*
- 2) *The internal temperature required (fridge temperature, 4°C)*
- 3) *The volume in cubic metres that needed to be temperature controlled*



*Drawing for the made to measure WILF in the picture above*

From this information, the correct refrigeration unit was selected to provide a constant, temperature controlled air flow within the WILF.

The next stage was to create a drawing to confirm the exact dimensions of the WILF, the door location, and the refrigeration unit location. A couple of phone calls from the designer established the final details.

This then prompted the designer to make a feature of the door, (much to his client's delight), which cleverly disguises the necessary ventilation grille.

Full instructions and guidance were given to the designer who completed the installation himself.

A very smooth, straight forward, design and build project that the client was delighted with.

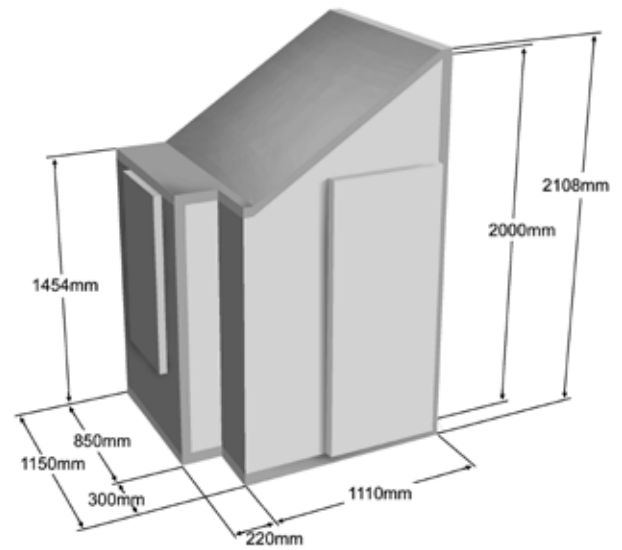
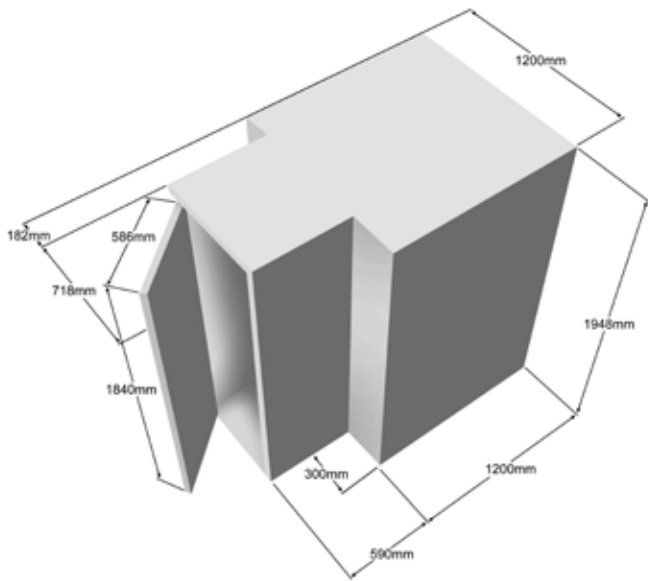
## Do none of our standard WILFs fit your needs? Do you need a WILF for something special or unique?

WILFs can be designed and built to fit all kinds of spaces anywhere in your home, whether it's under the stairs, in the basement, out in the garage or in the barn. The superior insulation properties mean that they can be used for other purposes where a specific and constant temperature between 3 and 12 °C

is essential, e.g. for wine storage or food processing.

We can help you with specifications and dimensions, taking into account sloping ceilings, interior corners, and walls or doors at peculiar angles. Our experts can provide advice on things you may need to consider in

order for the fridge to function just as you want it to. We'll provide drawings for you to double-check measurements before production and to ensure a perfect fit. As with all our fridges, assembly of the walls, ceilings and floors is quick and easy with a 'cam lock' system (see page 17).



*Two examples of made to measure WILFs that turned awkward spaces into valuable air-cooled storage rooms*



*The open door in the image above is the door to the WILF. When the door is closed, you would never guess you were dining within 3 feet of the fridge!*

# Self-Build Walk In Larder Fridges and Wine Rooms



## Where does it all start?

Does it start as a need, an idea, a dream or a vision? Being able to define the end result puts you in a position of strength, and knowing why you want it can help you to prioritize and make decisions. From there, you can work backwards to find out what you need to know, and who can help you.

## The Want:

- I want a walk in store room where I can keep ALL my food and drink on easy to clean and adjustable shelves.
- I want it in the heart of my kitchen, and I want it to blend in with my existing kitchen furniture.
- I want the room to be energy efficient and with low running costs.

## The Why:

- I like to be organised, because it's less stressful.
- I want to see what food and drink needs re-stocking at a glance so I know exactly what I need to buy.
- When I'm cooking, I only need to go to one place to find all the ingredients I need.
- I like to take advantage of special offers so having extra space for bulk purchases is a must.
- We like to have dinner parties, so being able to prepare food and store it ready to serve or cook at the last minute really takes the pressure off the evening.
- We also want to set an example to our children about making environmentally friendly choices, and that buying quality always pays off in the end.





## Taking the Lead

Nothing beats the feeling of satisfaction when you've completed a project in your home. Although we are here to help your project run smoothly, we know you will still be giving a lot of careful thought and planning to your needs before you make your final decisions.

If you're unsure about ventilation requirements and cooling capacity, let us take the worry away from you. Call us and we'll tell you anything you need to know. Send us measurements or plans and we'll put some suggestions together for you. We can even do a site visit if you prefer, just call to book a visit.



## Cam Lock Assembly

All WILFs, Wine Rooms and Corner Fridges are assembled using a 'cam lock' system to ensure precise fitting and an air tight seal.

(Allen key provided)



# Close it with certainty

Perfect for small wine cellars & larder conversions.

## Door with Integral Cooling Unit PC15

A convenient self-contained cooling solution for spaces up to 15m<sup>3</sup>. With a discreet ventilation panel on the exterior of the door and virtually silent operation, the PC15 is a great choice for smaller spaces in the home which would otherwise become redundant.

The door unit is delivered complete with casing, door handle, lock set, fixing screws and plastic covers ready to be assembled. Full instructions are provided plus you have phone support from us if needed. Simply inlay the door, embed the unit and connect to a suitable 13amp socket.



## Exterior Doors for Standard & Self Build WILFs 1600 x 930mm

These superior doors provide premium insulation are designed to provide an air tight seal for economic and efficient running of your WILF or Cold Room.

- Available as a solid or glazed door
- Supplied with mouldings/frame for Self-Build projects



## Insulated Door with Frame 2000 x 720mm (Door 1904 x 624mm)

This premium insulated door is supplied in white and can be ordered with the door hinged on the left or right.

These doors are perfect for wine cellars, but can be used for any room or space where there is a need for a constant temperature.



## Integrated Doors for WILFs 1880 x 590mm

Both these doors provide premium insulation for WILFs.

Regular kitchen furniture is very easy to attach, simply order panels from your kitchen designer, they will fit perfectly.

The Stainless Steel door option means integration can be instantaneous for industrial-styled kitchens!

# Flower Rooms



## Protection

Dedicated Walk In Flower Rooms are the perfect answer for keeping your blooms in pristine condition before they are sold or displayed.

Having accessible, dedicated space with the correct humidity and temperature, enables the final stage of the flowers' transportation to be safely handled prior to storage, sale and creative arrangements for show.

## Flexibility

Free Standing Flower Rooms can be built quickly and easily in almost any location that is protected from external weather conditions, workshops, warehouses and outbuildings etc. Because of its cam-lock assembly design, if a compact cooling unit is installed the whole room can be disassembled and relocated.

A regular mains supply socket is all that's needed for the energy efficient refrigeration unit to circulate the air and keep a constant temperature, preserving the shelf-life of your cut flowers and foliage.

## Design

You can design your Flower Room with glazed doors, double doors or single doors. You also have a 'split unit' cooler option to give silent operation, and it can also allow your Flower Room to be located in areas where ventilation may otherwise be problematic.

The fridge is constructed from superior steel-clad PUR insulation material and market-leading refrigeration units. These essential components give you optimum performance, energy efficiency and low running costs.

Shelving, although seemingly mundane, is extremely important when you need to display produce for maximum effect and if you need to re-organise your storage to cater for seasonal changes. The quality of the steel powder-coated rail, bracket and shelf system makes alterations quick and easy, and re-assembly remains stable and secure time after time.

Flower Rooms are suitable for both commercial and domestic use.

The standard Flower Room can be ordered from our website, or if you would like to talk to us about a made to measure option, then please call our team.

# The power behind energy efficient COOLNESS

The need is for food and drink to be kept in good condition, and we want to achieve this while being thoughtful to the environment. This is where The Corner Fridge Company leads the way by producing high volume larder fridges with engineering that provides the highest cooling capacity with the lowest running cost.

The energy efficiency of our units comes from making the most of mechanical principles. Correct specification is essential to keep an area at a constant temperature. We take into account the volume

of space to be temperature-controlled, the expected external temperature range, and the internal temperature required. This means the correct refrigeration unit can be selected, maintaining a high refrigeration capacity, high energy efficiency and low running costs. Not only that, the use of tangential fans and EC motors make these units the quietest on the market.

We are constantly updating refrigerants to the most eco-friendly available. If you'd like to know more, please call or email us.



Back Plate for unit, fitted to the 'warm side' of a WILF or Wine Room

*No other unit gives a higher ratio of cooling power to energy consumption*



	TC6	TCP6	EC6	EC 10
Volume	8m <sup>3</sup>	8m <sup>3</sup>	8m <sup>3</sup>	10m <sup>3</sup>
Voltage	220-240V AC 50Hz	220-240V AC 50Hz	220-240V AC 50Hz	220-240V AC 50Hz
Compressor	Danfoss NLU1 1KK.1	Danfoss NLU1 1KK.1	Danfoss NLU1 1KK.1	Danfoss NLU1 3KK.1
Cooling Effect	390W	390W	390W	470W
Temp Range	3-12°C	3-12°C	3-20°C	3-20°C
Ambient Temp	16-27°C	16-27°C	16-27°C	16-27°C
Net Weight	23 kg	23 kg	27 kg	27 kg
Dust Filter	Yes	Yes	Yes	Yes
Auto Defrost	Yes	Yes	Yes	Yes
Condensate Drain	No	No	No	Yes
Dims W,D,H	475 x 230 x 787 mm	475 x 230 x 787 mm	530 x 190/220 x 810 mm	530 x 190/220 x 810 mm
Power Consumption	160W	160W	160W	185W

# Answers to challenging situations

## How do we?...

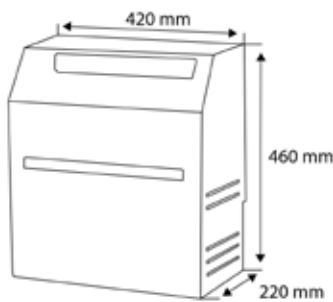
If Zen, calm and tranquility are highly treasured qualities in your living space, then you can have it. Silent operation for your pantry, WILF or Wine Room is achievable when you use a split unit, by locating the compressor elsewhere.

Perhaps you're refurbishing an older property where the space available is proving problematic with ventilation? With a choice of ceiling or wall-mounted evaporator unit, utilising a split unit means the compressor can be located where low level noise and ventilation isn't a problem.

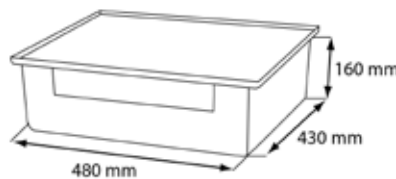
Ask your architect, builder, interior designer or kitchen designer to work with us today.

Let's get it right, and let's get you what you want.

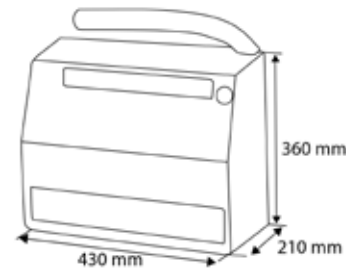
**NB: Split-Units must be installed and commissioned by a competent F-Gas registered engineer.**



Compressor Unit



Ceiling-Mounted Evaporator



Wall-Mounted Evaporator



EC 10VIN	TL16	TL6 Split Unit	TL10 Split Unit	TL16 Split Unit
12m <sup>3</sup>	17m <sup>3</sup>	8m <sup>3</sup>	12m <sup>3</sup>	17m <sup>3</sup>
220-240V AC 50Hz	220-240V AC 50Hz	220-240V AC 50Hz	220-240V AC 50Hz	220-240V AC 50Hz
Danfoss NLU1 1KK.1	Danfoss SC15G	Danfoss FR 8.5G	Danfoss FR 10G	Danfoss SC15G
12000ltr/465W	12000ltr/780W	8000 ltr/390W	12000 ltr/450W	17000ltr/780W
3-20°C	3-12°C	3-12°C	3-12°C	3-12°C
16-27°C	10-27°C	10-27°C	10-27°C	0-27°C
24 kg	26 kg	23 kg	24 kg	26 kg
Yes	Yes	Yes	Yes	Yes
Yes	Yes	Yes	Yes	Yes
Yes	Yes	Yes	Yes	Yes
475 x 230 x 787 mm	475 x 230 x 787 mm	(See diagram)	(See diagram)	(See diagram)
185W	490W	270W	300W	490W

# Spares, Advice & Aftercare

A hygienic air flow around the food and drink in your Corner Fridge or Pantry or WILF is of key importance. And an unrestricted,

clean air supply must also reach the refrigeration unit, to ensure maximum operating efficiency and low running costs.

The simplest way to ensure a clean and hygienic air supply, is to incorporate an easy-reach easy-clean charcoal filter in the unit.

## Looking after your filter



## Spares and Component Parts

For your convenience, filters and other items subject to wear and tear such as door seals are available to order from our website. If you need assistance with your order, simply call or email us.

All components to build Walk In Larder Fridges, Cold Rooms and Wine Rooms are available to purchase separately, including insulated doors, split units and the PC15 Cooling Unit Door.

## Site visits

If you'd like to meet with us face to face, consultations can be arranged by request. If you would like one of our engineers to visit your location, measure up and make suggestions on the most suitable equipment and materials to suit your needs, please call us on 01302 759308 or email [info@cornerfridge.com](mailto:info@cornerfridge.com) to make arrangements.

## Parts Warranty:

*Replacement units and spare parts are sold with 12 months parts only warranty from the date of delivery.*

# The Ultimate in Integrated Wine Cabinets

Would you love the convenience of selecting a bottle of wine in your beautiful stylish kitchen? From a sleekly designed cabinet with exceptional build quality from the best of Scandinavian engineering?

It's all about the moment when the bouquet hits the nose and the sophisticated flavours dance on the taste buds, an experience to share with your closest friends and family. If you cherish these quality moments and want to open your wine with confidence, then consider the OSLO range by TempTech.

The range offers various sizes for column or under-counter installation, not only will their cabinets blend in anywhere with their premium finishes, you will also have peace of mind that your wine will be stored and served in perfect condition.

Ask your kitchen designer to call or email us and we'll do the rest.

For more information about premium wine storage solutions, visit [www.winecorner.co.uk](http://www.winecorner.co.uk)



# Stylish Heating

It's polished, it's luxurious, it can be a centre-piece or it can blend in with your interiors. An unbelievably simple solution to heating rooms or living spaces with slimline wall-mounted Solaris Glass Radiators.

Energy saving with low running costs, Solaris Glass Radiators produce radiated heat rather than convected heat. This provides a much healthier atmosphere with minimal dust movement.

The convenience of installation (standard 240V spur) means there is very little disruption in your household, and the contemporary styling is a dream for interior designers to incorporate heating into your plans. Please ask your interiors specialist to call or email us for details, we're happy to help.

You can find details of the technology, sizes, colours and finishes on our website [www.cornerfridge.com](http://www.cornerfridge.com).

**Feel the difference with Solaris Glass Radiators**  
**The perfect heating system for all living spaces**



Corner Fridges, Pantries and WILFs have 2 years warranty from the date of delivery.

**Conditions:**

Warranty will only be valid when:

- 1) the products have been installed in accordance with the manufacturer's instructions
- 2) The products have been used and maintained in accordance with the User Guide.

**Guidance:**

Please read the manufacturer's installation manual fully before unpacking and starting assembly and use of the product. The warranty covers manufacturing faults, however in the event that the item has been deliberately damaged, used in an unsuitable environment or disassembled, then the warranty will be null and void.



Installation of Corner Fridges and WILFs should be performed by competent tradespeople, and a competent F-Gas registered engineer must be engaged to install the split-unit option.

Please remember to clean and change the filters as described in the User Guide. Failure to do so may invalidate the warranty.

Warranty claims should be submitted before the end of the warranty period. A paid service exists for repairs commissioned

after this period. The *original* warranty period remains applicable to the appliance even if repairs are carried out or parts are replaced. In such cases, the work performed or parts fitted will not result in an extension of the warranty period, and no new warranty will become active for the work performed or parts fitted.

**Parts Warranty (UK Mainland)**



Spares, accessories and replacement units are sold with 12 months warranty from the date of delivery.

**Conditions**

The conditions and guidance for Full Warranty also apply to Parts Warranty.

Corner Fridge Company Limited  
Unit 4 Brunel Close,  
Harworth, Doncaster  
DN11 8QA

Tel: 01302 759308 or  
Local Rate on 03333 702 547  
Email [info@cornerfridge.com](mailto:info@cornerfridge.com)  
[www.cornerfridge.com](http://www.cornerfridge.com)

 Corner Fridge Company Ltd  
 [cornerfridge1](https://twitter.com/cornerfridge1)

©The Corner Fridge Company Limited 2020. We reserve the right to change product specifications and prices without prior notice. The Corner Fridge Company Limited does not accept any responsibility for any loss, which may arise as a consequence of reliance on information contained in the brochure. All appliances will be compliant with UK legislation at the time of order and are described and sold for domestic use unless otherwise stated.

Take a close look at the Corner Fridge on stand 127 at NSBRC, Swindon. [www.nsbrc.co.uk](http://www.nsbrc.co.uk)



DEFYING  
CONVENTION